

ILS - Integrated Logistics Support



FN HERSTAL

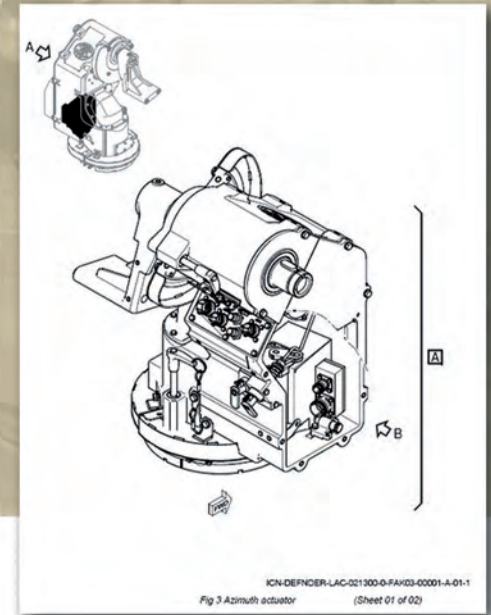
ILS - Integrated Logistics Support

To meet customer demand for efficient and cost-effective life cycle support, the Systems Department of FN Herstal offers a complete range of Integrated Logistics Support (ILS) and product support services for all delivered integrated weapon systems.

FN Herstal ILS capabilities cover: safety analysis, Logistic Support Analysis, Reliability Availability Maintainability analysis, Maintenance Plan, spares provisioning, Life Cycle Cost, Special Tools, Test and Support Equipment, PHMST, technical publications, training, repair, technical assistance, and contractor logistics.

Safety and Logistics Analysis:

- Safety analysis
- Reliability Availability and Maintainability analysis
- Logistic Support Analysis (LSA) & LSAR
- Life Cycle Cost (LCC) analysis



Technical Manuals

- Operator Manual
- Maintenance Manual
- Illustrated Part List
- S1000D compliant and available in paper/PDF format and in IETM version

Training

- Training plan
- Operator training
- Maintenance training
- Training aids



Integrated Logistics Support and Product Support Services



Support Equipments

- Special tools
- Test and support equipments
- Transport and storage containers

Support and Assistance

- Hotline support
- Diagnosis
- Repair services
- On-site technical assistance: survey, maintenance performance

Updates and Improvement

- Logistic data follow-up (list of provisioning parts, catalogs, etc.)
- Technical manual updates
- Maintenance concept and support system suited to the evolution of the operational needs

Obsolescence Management

- Technical survey and detection of the obsolescence risks
- Obsolescence monitoring and management



FN HERSTAL

ILS - Integrated Logistics Support



Spares Supply

- Optimizing spare parts quantities based on LSA and user profile
- Initial parts provisioning
- Spares supply

Equipment Fleet Management

- Technical events processing
- Fleet survey and analysis of availability
- Equipment fleet and spares configuration management

Upgrades and Retrofits

- Refurbishment: keeping the performance level
- Upgrade: improving the performance level
- Supply of retrofit kits



FN HERSTAL

FN HERSTAL, S.A.
Voie de Liège, 33
B-4040 Herstal - Belgium
Tel: + 32-4 240 81 11
Fax: + 32-4 240 86 79
info@fnherstal.com - www.fnherstal.com

V.A.T. BE 441.928.931 - RPM Liège
BNP PARIBAS FORTIS BANK : IBAN : BE40 2400 0440 0063
BIC : GEBABEBB



CAUTION: No part of this catalog i.e. documents, information, technical diagrams or any other copies - without the list being exhaustive - may be reproduced, adapted, translated, entered into a database or even released to the public partly or entirely without prior and written permission of FN HERSTAL, S.A. The specifications or other figures are given for indication only and have no contractual value. FN HERSTAL, S.A. reserves the right to modify or change the specifications at any time without prior notice. All trademarks, service brands and brand names used here are trademarks or registered trademarks of FN HERSTAL, S.A. and may not be used, copied, reproduced, republished, uploaded, sent, transmitted, sold or altered in any way without the prior written permission of FN HERSTAL, S.A. All rights reserved for all countries. © FN HERSTAL, S.A. - 04 2013 AP - 3985642910